

# INTERLUBE

*Leaders in Lubrication Solutions*



## AC Range

Multi-Line System



AC1



AC2



AC3



*Interlube Systems Ltd - providers of the ultimate in lubrication solutions...*

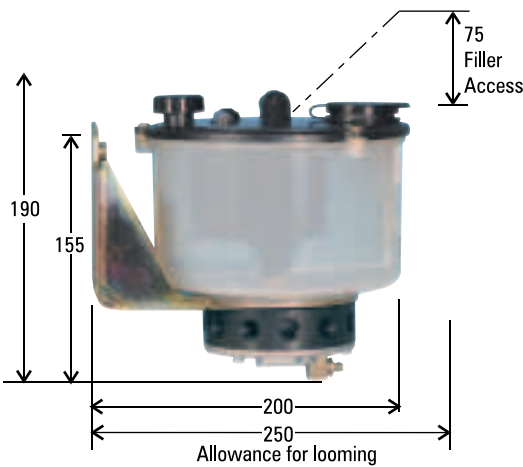
**AC ELECTRICALLY OPERATED MULTILINE SYSTEM RANGE**

The **Interlube AC Range** is a compact all electrically operated multi-line system, with three reservoir sizes. The multi line concept enables each bearing to be lubricated independently, and damage to one feed line does not render the system inoperable. The AC Range is easy to operate, and virtually maintenance free. It is fully adjustable, and will deliver precise lubrication whenever the vehicle is in motion.

- Electrically operated 12/24volts
- Suitable for use with oil and grease upto NLGI grade 2
- Serves upto a maximum of 60 points
- Multi position timer with memory
- Six colour coded pumping units available with outputs from 0.01cc to 0.1cc
- High quality, reliable product. Made in the UK.

**AC1 (1.25 Litre Reservoir)**

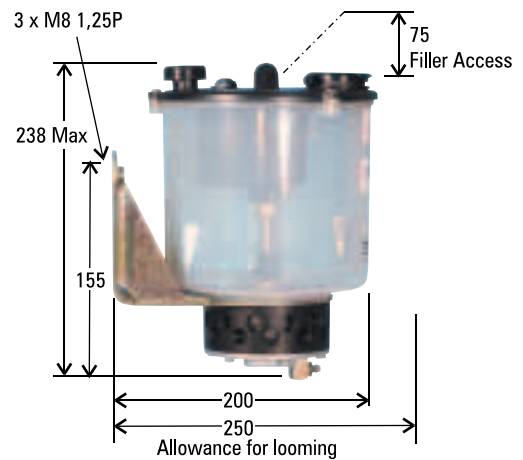
Maximum 12 Lubrication Points  
Operates for up to 750 hours on each reservoir filling.



AC Pump Assembly (12 volt/12 outlets).....AC 1111  
AC Pump Assembly (24 volt/12 outlets) .....AC 1121  
*(Pumps with 24 outlets are available to special order)*  
Motor Type.....Geared Synchronous  
Synchronous Power Consumption.....4 VA  
Pump Cycle Time.....12 Minutes  
Nominal Reservoir Capacity.....1.25 litres  
Nominal Weight (Full).....3.25 kg

**AC2 (2 litre Reservoir)**

Maximum 36 Lubrication Points  
Operates for up to 1500 hours on each reservoir filling.

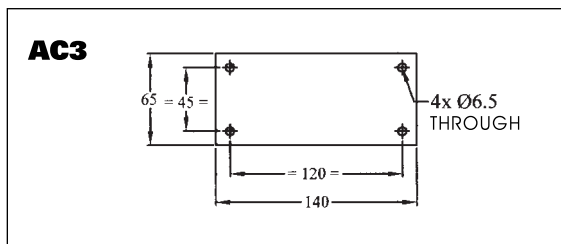
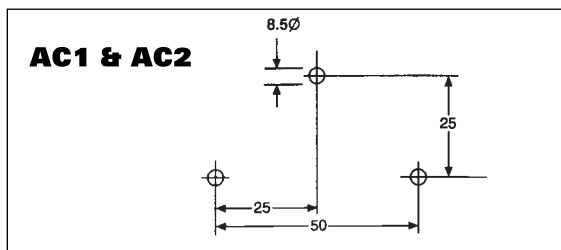


**Ordering Method** AC2 X X X

1	2.5 Mins*	1	12V. D.C.	1	12 POINTS
2	9 Mins	2	24V. D.C.	2	24 POINTS
3	12 Mins			3	36 POINTS**
4	15 Mins				

Cycle Time = (minutes per rev)  
\*Continuous Trailer Option - 1.33 Mins/Rev motor available as option  
\*\*Suitable for oil and fluid grades up to '000' grade only.

**AC RANGE - PUMP MOUNTING CENTRES**



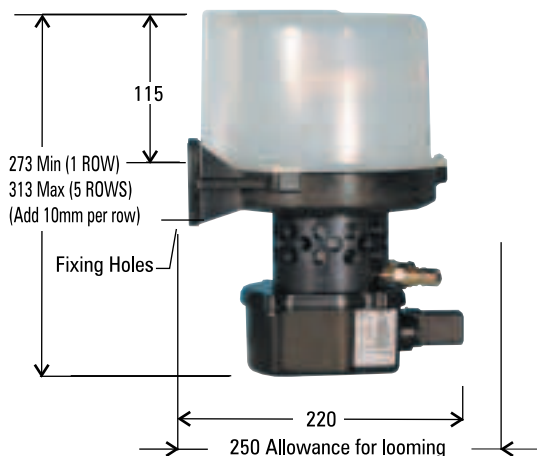
**AC RANGE MINIMUM OPERATING TEMP**

PUMP TYPE	RECOMMENDED LUBRICANTS					
	OILS SAE 80/90	NLGI GREASES				
		000 Fluid	00 Semi Fluid	0 Soft	1 Stiff	2 Hard
<b>AC2XX1</b> 12 Points	-40°C	-35°C	-30°C	-25°C	-20°C	-15°C
<b>AC2XX2</b> 24 Points	-30°C	-25°C	-20°C	-15°C	-10°C	-5°C
<b>AC2XX3</b> 36 Points	-20°C	-15°C	-	-	-	-
<b>AC1111</b> 12 Points, 12/24 Volt	-40°C	-35°C	-30°C	-25°C	-20°C	-15°C
<b>AC3</b> up to to 60 points 12/24 Volt	-25°C	-25°C	-25°C	-25°C	-25°C	-25°C
Upper Temp Limit	+40°C for all pumps					

## AC3 (3 Litre Reservoir)

Maximum 60 Lubrication Points

Operates for up to 2000 hours on each reservoir filling.



### Ordering Method AC3 X X X / X

0 Continuous double speed	1 12V.	1 12 POINTS
1 Continuous normal speed	2 24V.	2 24 POINTS
2 3 Minute delay		3 36 POINTS
3 7 Minute delay		4 48 POINTS
4 11 Minute delay		5 60 POINTS
5 15 Minute delay		
6 19 Minute delay	1 Grease Nipple Filler	
7 24 Minute delay	2 Quick Release Coupling	
8 30 Minute delay		
9 36 Minute delay		

Motor Type: Geared  
Nominal Reservoir Capacity: 3 Litres  
Nominal Weight (Full): Approx. 5kg

2 low level options available for the AC3 pump, capacitive sensor type and a collapsible bellows/reed switch type for both fluid and heavy grease. Both can be wired for visual/audible warnings.

## DISTRIBUTION SYSTEM

Each lubrication point is serviced by its own individual feed line, via a dedicated pumping unit. The system is capable of handling SAE 80/90 oil up to NLGI Grade 2 grease (limited on 36 unit pump up to '000' Grade grease on AC2) and up to 60 points on all suitable lubricants with AC3. The feed lines are 4mm O/D semi rigid black nylon tube, UV stabilised, rated 140 bar (14 MN/m<sup>2</sup>).

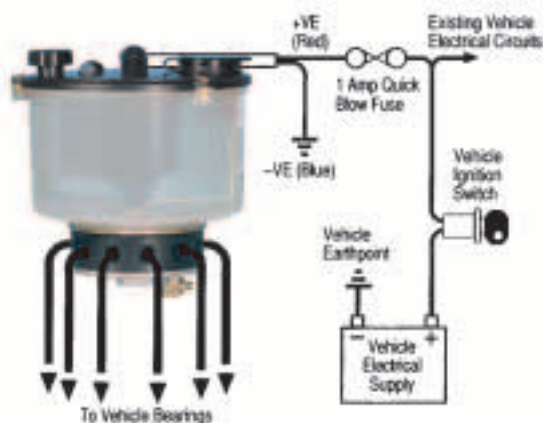
Individual bearing lubrication on a multiline system ensures that an accidental pipe breakage affects only one lubrication point, not the complete system.

## DISTRIBUTION SYSTEM

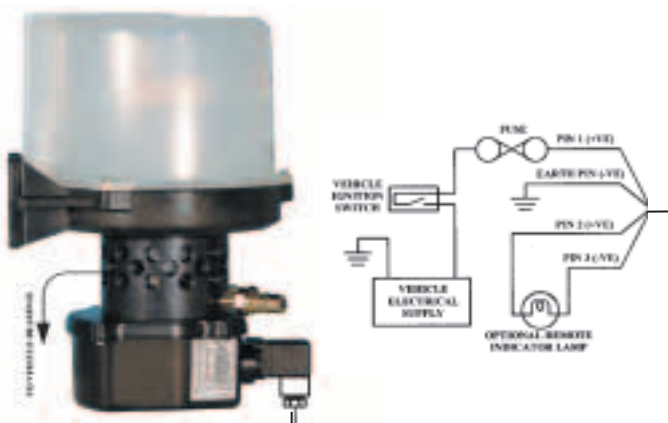
Installation is similar for the AC Range of pumps. Direct connections to the vehicle ignition system, provides automatic lubrication whenever the ignition is switched on.

A memory built into the pump's printed circuit board removes the possibility of over-lubrication on a short trip/multi-drop operation.

### INSTALLATION DIAGRAM AC1 & AC2



### INSTALLATION DIAGRAM AC3



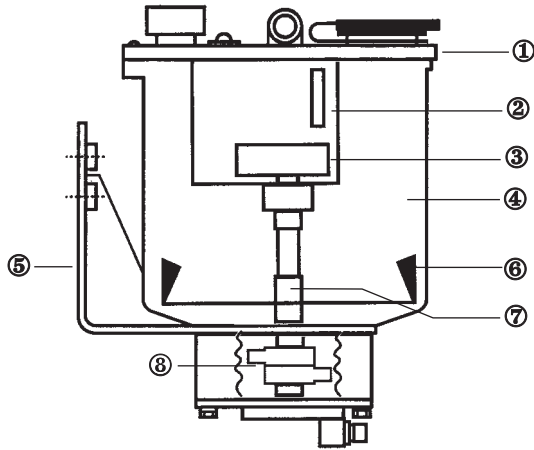
## PUMPING UNITS

Positive displacement pumping units are available in six different stroke outputs to cater for varying output requirements, and are colour coded for easy identification. They are supplied complete with outlet fittings suitable for 4mm tubing

Colour	Stroke output cc	Part No
Red	0.010	78033
Green	0.015	78034
Yellow	0.025	78035
Blue	0.040	78036
Grey	0.060	78037
Black	0.100	78038
Blanking plug for unused outlets		34237-004



## AC1 & AC2 SPARES



### SPARES REFERENCE

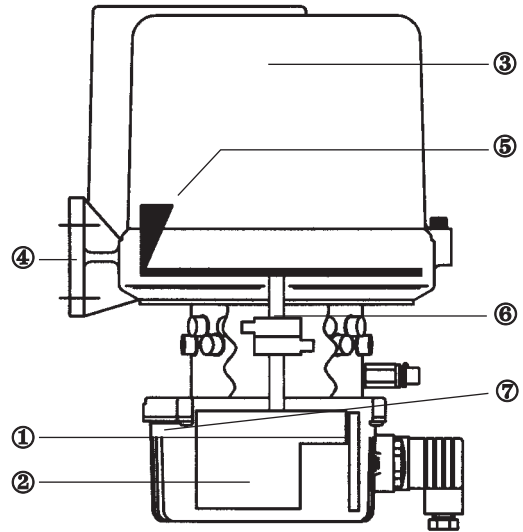
ITEM No	ITEM	SPARES REF NUMBER	
		AC1	AC2
1	LID ASSY	AC/SP1	AC/SP1
2	PCB ASSY	AC/SP2	AC/SP2
3	ELECTRIC MOTOR	AC/SP8/12v AC/SP8/24v	AC/SP8/12v AC/SP8/24v
4	RESERVOIR	AC/SP4	AC/SP9
5	BRACKET	83341-803	83341-803
6	PADDLE ASSY	AC/SP7	AC/SP7
7	DRIVE ADAPTOR	AC/SP6	AC/SP10
8	CAMSHAFT ASSY		
	12 UNIT	AC/SP5/1	
	24 UNIT	AC/SP5/2	
	36 UNIT	AC/SP5/3	

Note: AC pumps built prior to JULY 1999  
spares option for electric motor replacement  
are: AC/SP3/12V AC/SP3/24V

### INTERLUBE WARRANTY

The INTERLUBE AC Range carries a 2 year warranty on ALL parts, (subject to normal terms and conditions of sale), in line with completion of our 'System Warranty Registration Card.'

## AC3 SPARES



### SPARES REFERENCE

ITEM No	ITEM	SPARES REF NUMBER
1	PCB ASSY	AC3/SP2/12V AC3/SP2/24V
2	ELECTRIC MOTOR	AC3/SP8/12V AC3/SP8/24V
3	RESERVOIR	AC3/SP9
4	BRACKET	38580 - 126
5	PADDLE ASSY	AC3/SP7
6	CAMSHAFT ASSY	
	12 UNIT	AC3/SP5/1
	24 UNIT	AC3/SP5/2
	36 UNIT	AC3/SP5/3
	48 UNIT	AC3/SP5/4
	60 UNIT	AC3/SP5/5
7	Motor Cover and PCB	AC3/SP10/12V AC3/SP10/24V

## SYSTEM ACCESSORIES

The AC Range, is complemented by a comprehensive range of system accessories, which enable INTERLUBE SYSTEMS to provide the complete lubrication package from vehicle ignition to bearing point - system filling to lubricant. See TECHNICAL DATA SHEET (number ISF100) 'System Accessories' for further information.



[www.interlubesystems.com](http://www.interlubesystems.com)  
HELP DESK · PRODUCT RANGE · LITERATURE REQUEST

For advice on which product is most suitable for your needs - visit our web site from where you can e-mail us your requirements. Our Help Desk will respond within 24hrs by return e-mail or phone.

**INTERLUBE**  
Leaders in Lubrication Solutions

UK Headquarters:  
Interlube Systems Ltd  
St Modwen Road, Parkway Industrial Estate,  
Plymouth, Devon, England PL6 8LH

Tel: +44 (0)1752 676000

Fax: +44 (0)1752 676001

e-mail: [info@interlubesystems.com](mailto:info@interlubesystems.com) Web Site: [www.interlubesystems.com](http://www.interlubesystems.com)

USA Headquarters:  
Interlube Systems Inc  
4696 Wadsworth Road,  
Dayton, Ohio, 45414, USA



ISF100 ISSUE 4